

**BenchMAX, BenchDELUXE and BenchMARK manual**

Label specifications.....page 1

How to thread your labels.....page 2

Setting the tensioner.....page 4

Setting the label sensor.....page 5

Applying front and back labels.....page 5

Positioning the rub down roller.....page 6

Containers with recesses.....page 7

Small bottle adaptor (optional).....page 8

Container guidelines.....page 8

Set your orientation.....page 9


Programming options.....page 9

Technical tips and tricks.....page 10



# LABEL SPECIFICATIONS

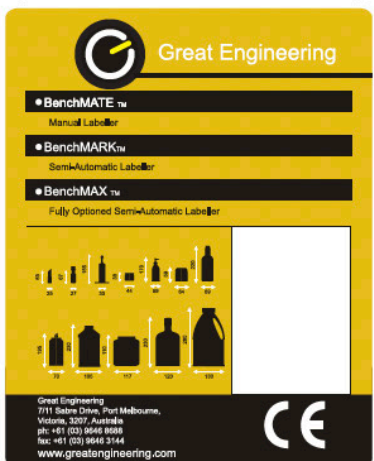
76mm core (manual machines)  
35mm or 76mm core (electric machines)




Maximum 300mm roll diameter

**Label Length**

10mm - 650mm length for single labels  
10mm - 220mm combined length for two labels




**Height (width)**  
10mm - 230mm\*



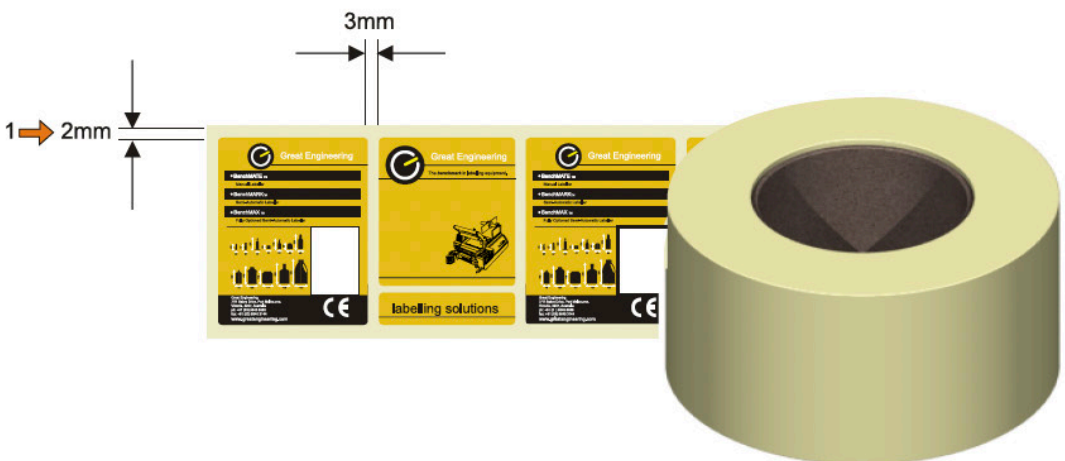
Label height dependent on machine, check label height [here](#)

**Left Edge Leading, Outside Wound**  
Commonly known as Roll Type 4



OR

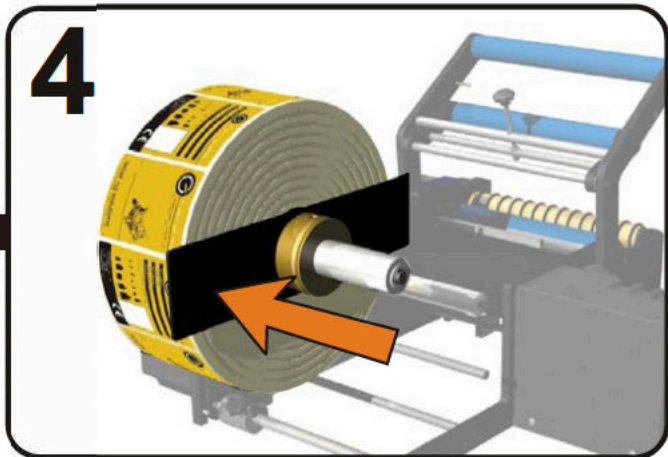
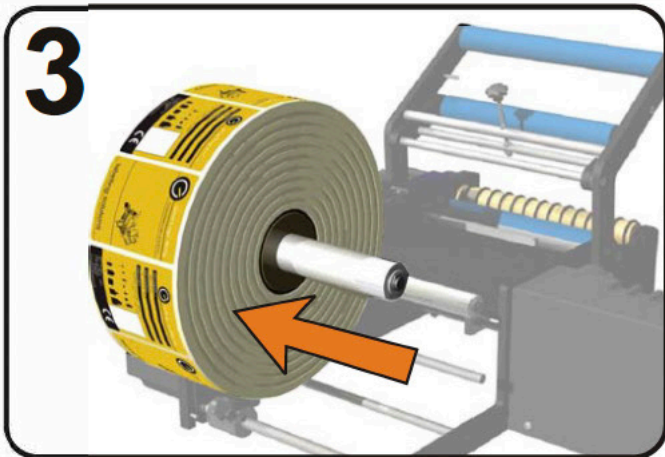
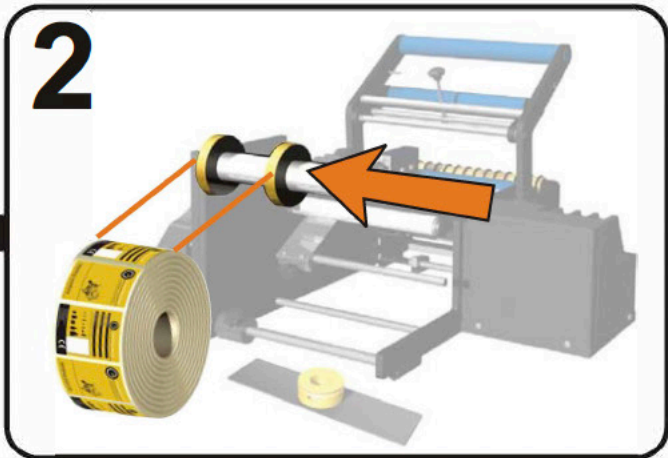
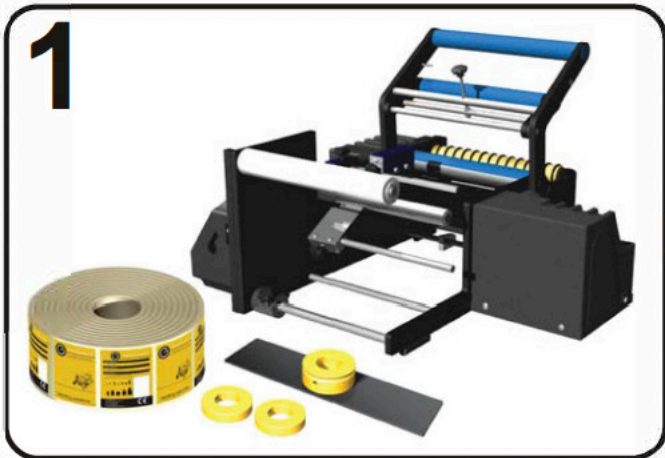
**Left Edge Leading, Inside Wound**  
Commonly known as Roll Type 8



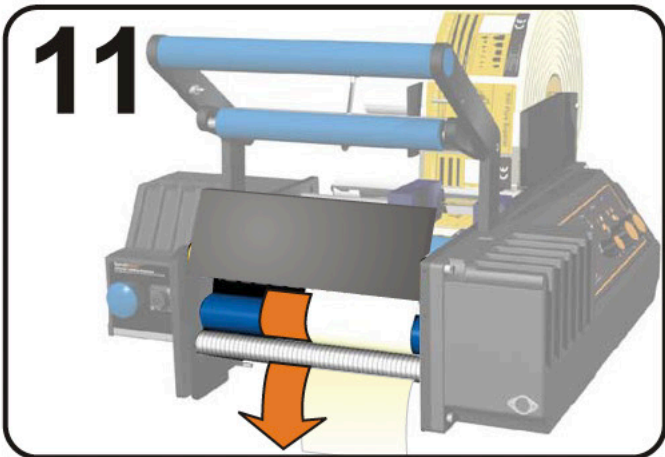
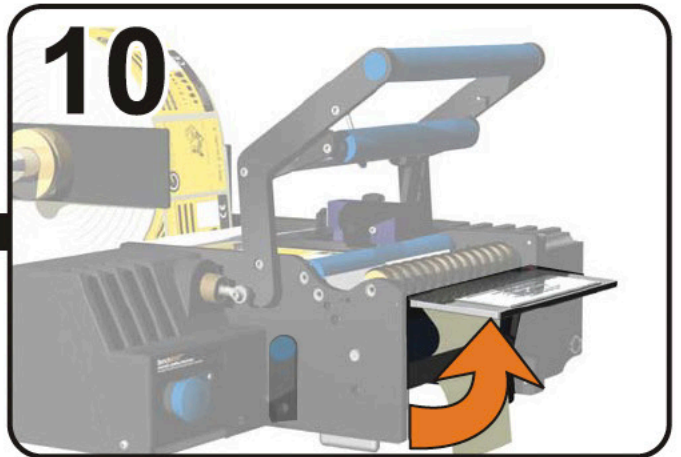
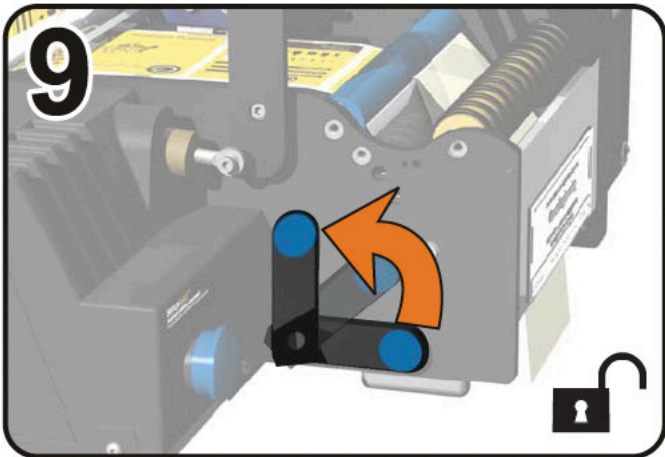
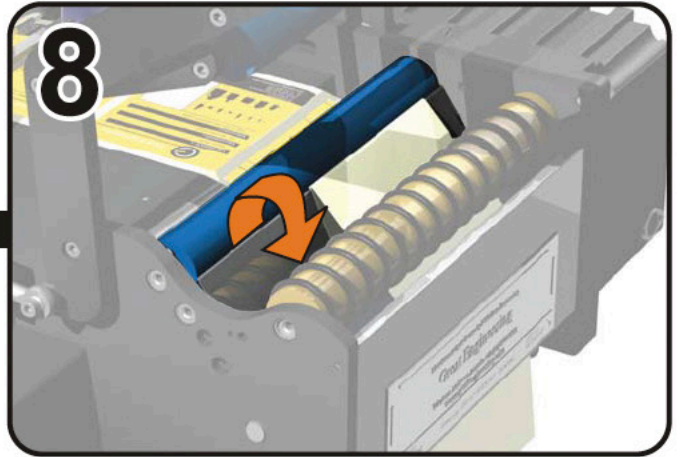
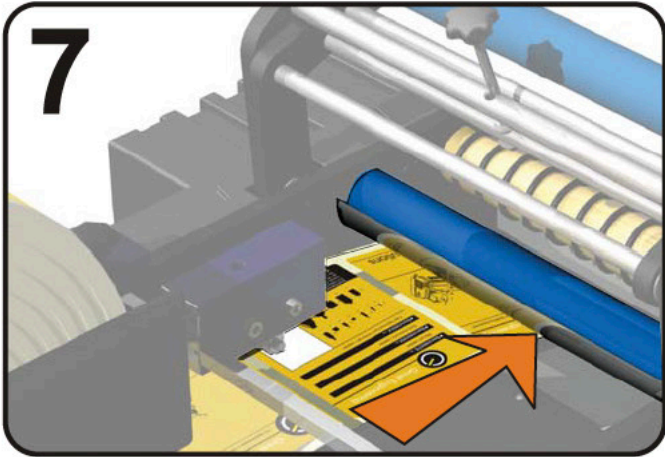
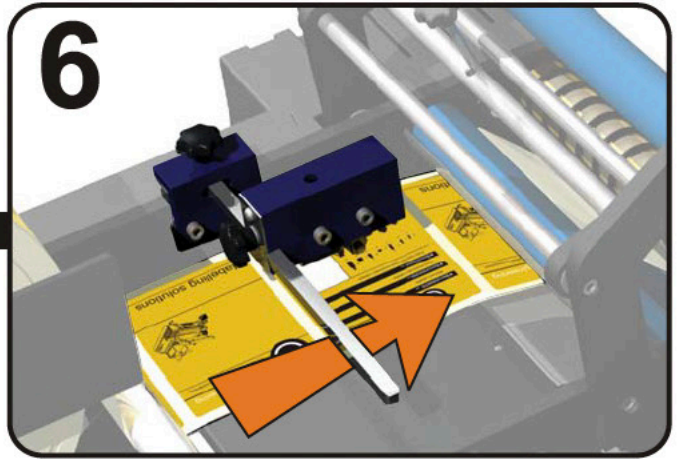
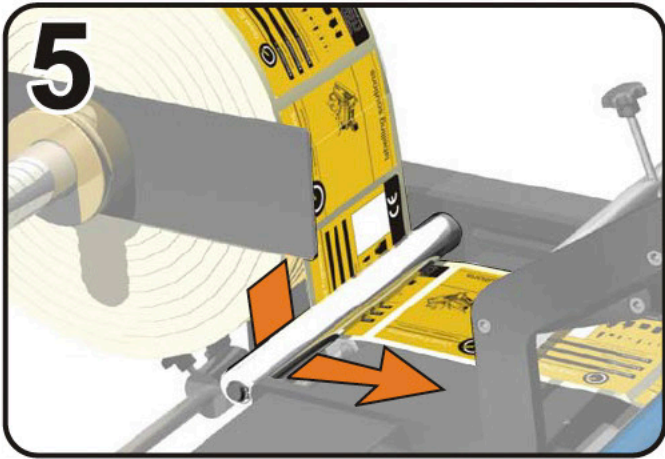
Please ensure your label backing liner is NOT perforated

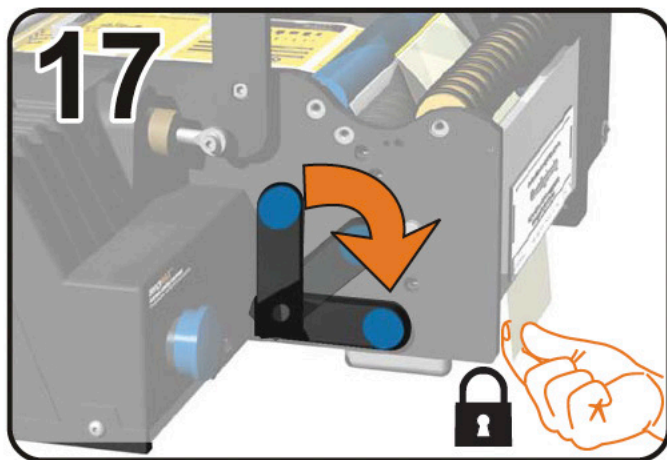
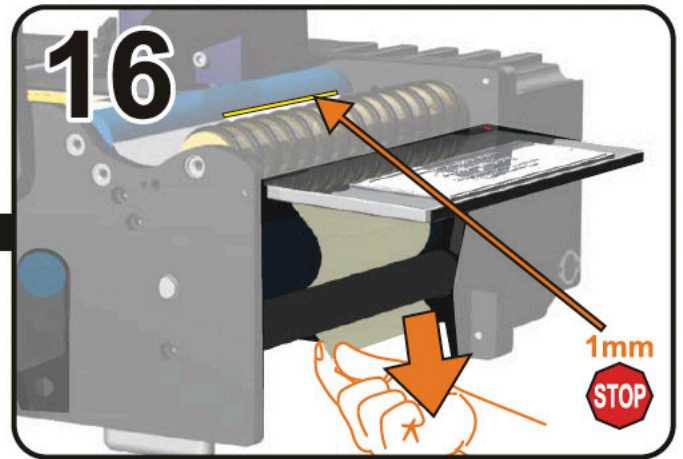
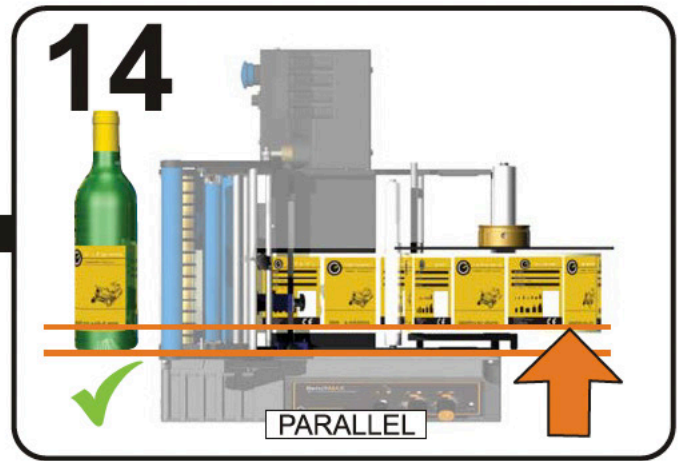
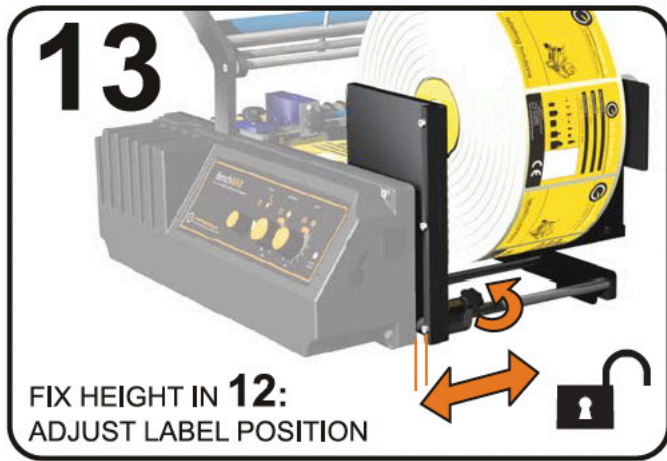
Transparent label backing liner may benefit from a rewinder to avoid static build up

# THREADING LABELS

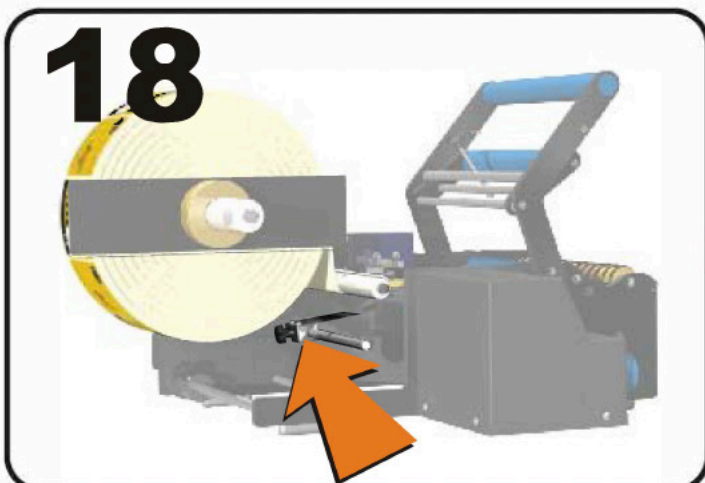








SET THE TENSION PLATE



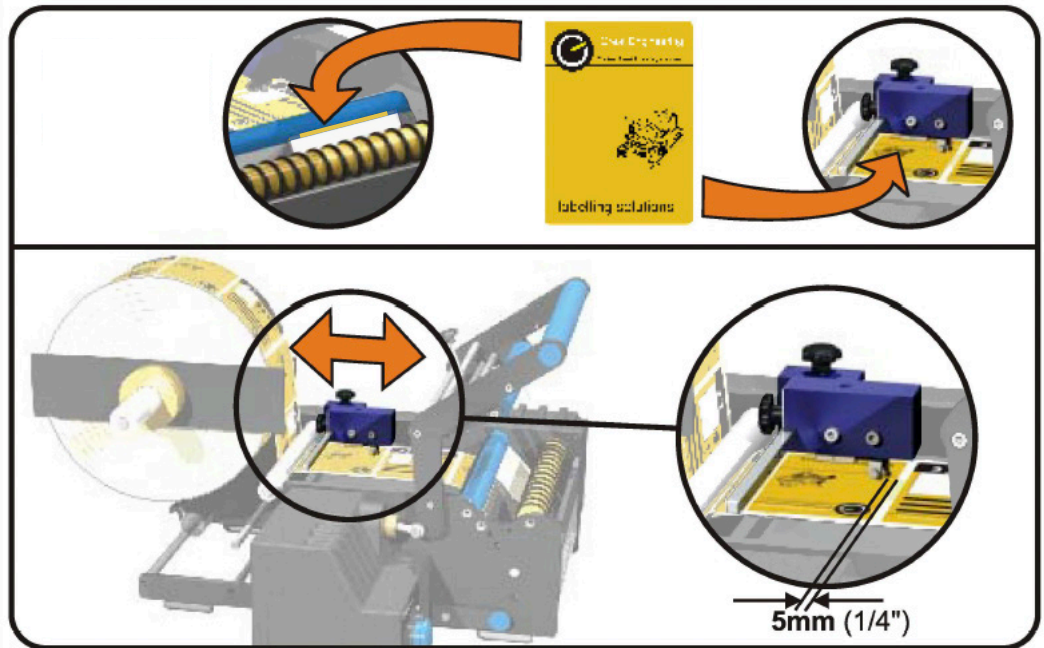
Please ensure to increase tension on the tension plate until there is a slight bend. It should not be sitting flat



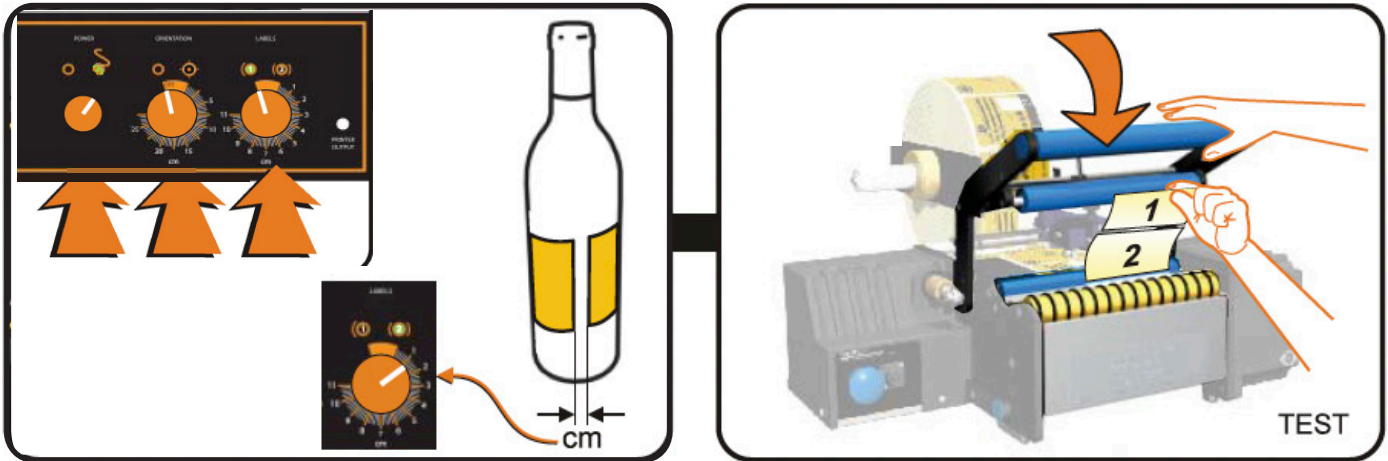
# SETTING LABEL SENSOR



[CLICK HERE](#)



# APPLYING 2 LABELS



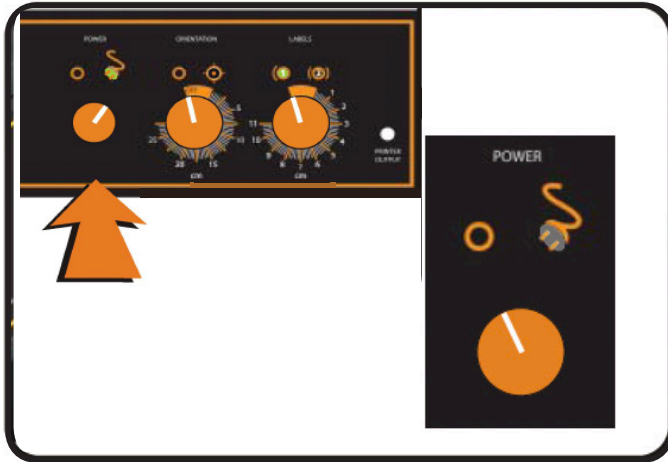
Please watch below QR code when applying two labels

How the gap sensor controls the labels

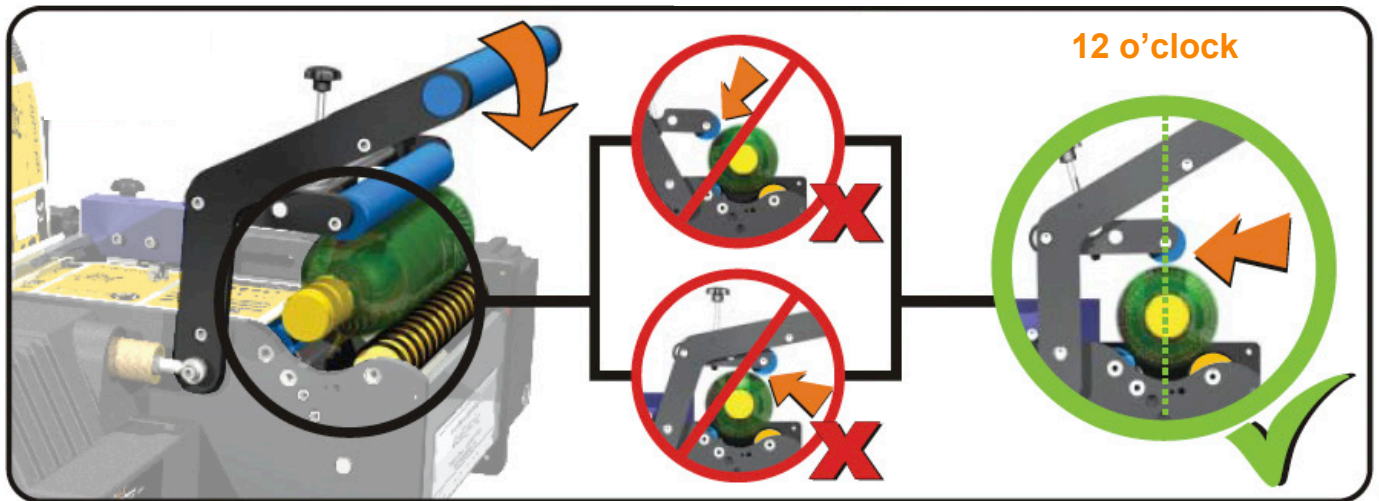


[CLICK HERE](#)

# POSITIONING RUB DOWN ROLLER

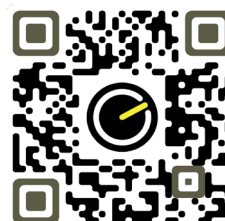
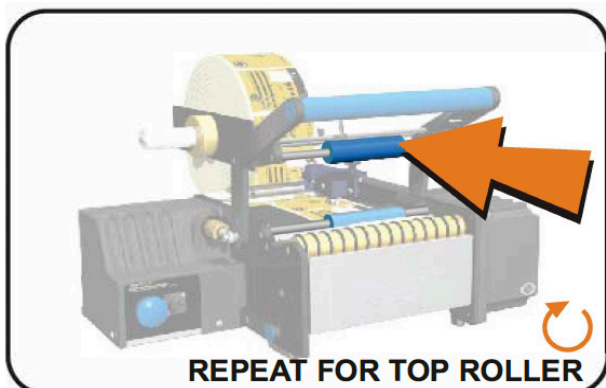
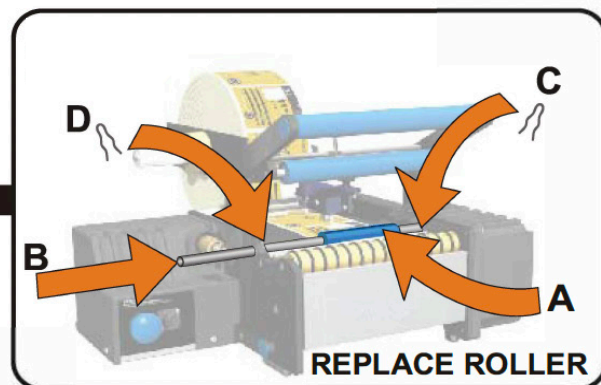
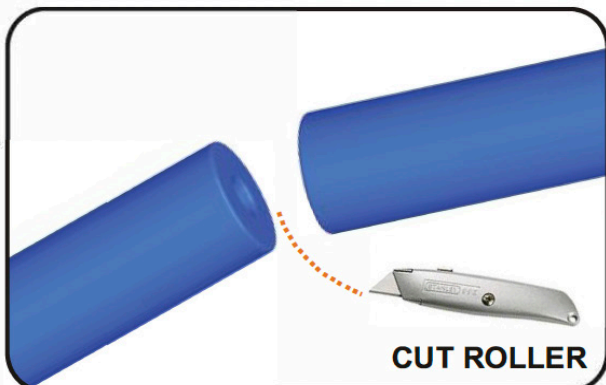
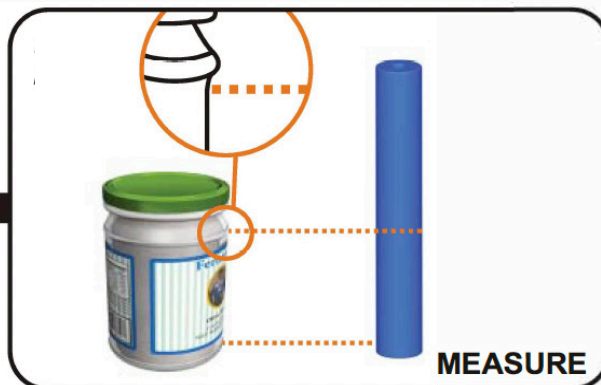
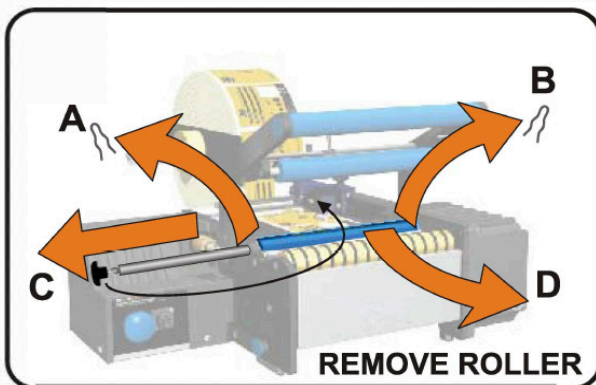


[CLICK HERE](#)



8

## CONTAINERS WITH RECESSES



[CLICK HERE](#)

## CHANGING THE ROLLERS



How to change the drive roller

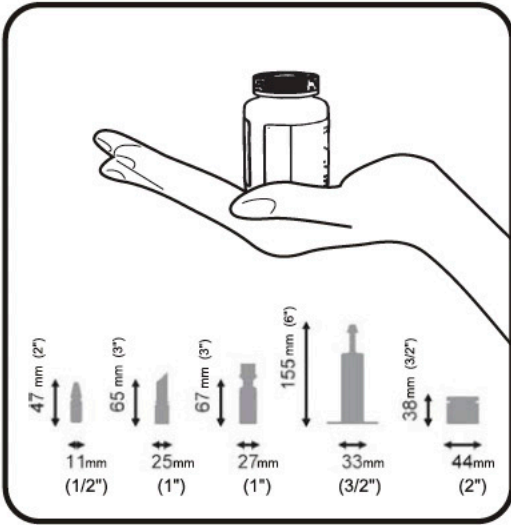
How to change the handle roller



How to change your other rollers



## SMALL CONTAINER ADAPTOR

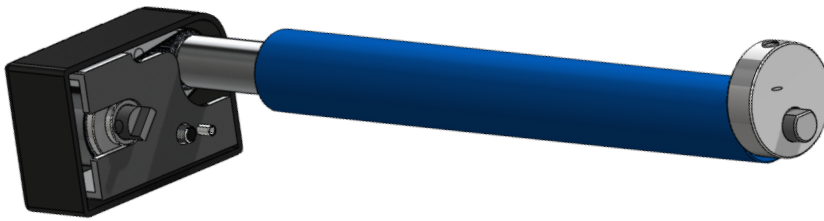


How to change the SCA roller

[CLICK HERE](#)

How to attach the SCA roller

[CLICK HERE](#)

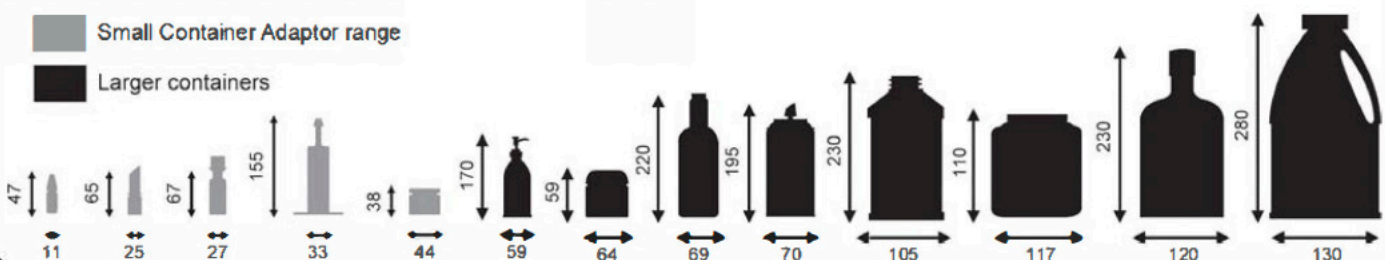


## CONTAINERS



Small Container Adaptor range

Larger containers



# ORIENTATION



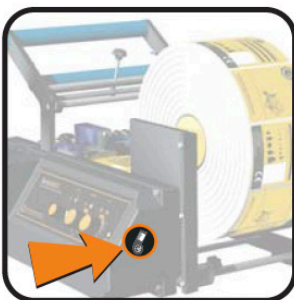
How to assemble front orientation  
[CLICK HERE](#)

How to detect front orientation  
[CLICK HERE](#)



How to assemble base orientation  
[CLICK HERE](#)

How to detect base orientation  
[CLICK HERE](#)



# PROGRAMMING



ON



LIGHT

OFF



DARK



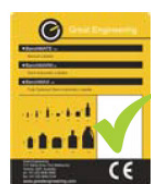
OFF  
NORMAL



NO LONGER IN  
USE



ON



PRINTING ON  
LABELS



ON  
230mm +  
(9" +)



LONG LABELS



[CLICK HERE](#)

## TECHNICAL TIPS AND TRICKS



My machine is applying too many labels

My machine is not applying any labels



Is my gap sensor working?

How to adjust the gap sensor sensitivity



How to change your gap sensor internals

- 1 = Handle roller
- 2 = Rub down roller
- 3 = Application roller
- 4 = Small container roller
- 5 = Drive roller

